

Version	2.0	Date	10/7/21
Prepared By	JC		

**PRODUCT SPECIFICATION**

<b>Category</b>	Disk Light Round
<b>Item Number</b>	9361
<b>Stock Code</b>	LED4DLR-65L9CCT5
<b>Mounting</b>	4" Recessed
<b>Housing Color</b>	White



ELECTRICAL CHARACTERISTICS			
Rated Wattage (W)	10	Replacement Wattage (W)	60
Tested Wattage (W)	10		
Input Voltage (V)	120V	Surge Protect Level	2KV
Voltage Frequency (Hz)	60	Dimmable	Incandescent Dimming
Input Current (A)	0.1	AUX (12V) Line	-
Power Factor	>0.9		
THD	<20%		

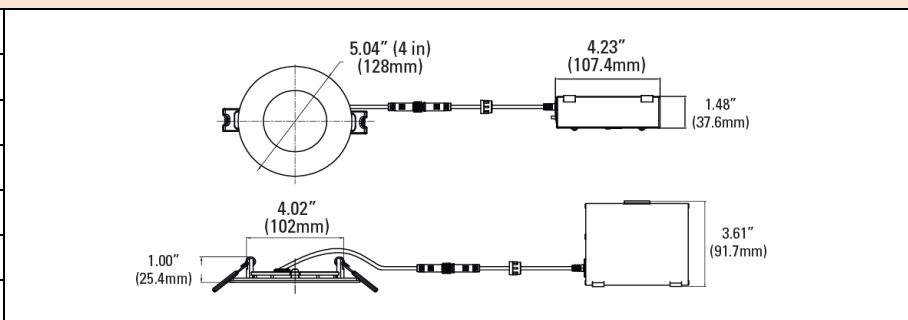
PHOTOMETRIC CHARACTERISTICS			
Lumen (lm)	650	CCT (K)	5CCT (27/30/35/40/50K)
Efficacy (lm/w)	-	Beam Angle (°)	Flood
CRI	>90		

GENERAL CHARACTERISTICS	
Operating Temperature (°F)	-4 °F ~ 113°
Storage Temperature (°F)	-4°F ~ 113°
IP Rating	Wet Location
IK Rating	-
Rated Life (Hrs)	50,000
Warranty (Yrs)	5

ACCESSORIES		
Item #	Stock Code	Description
P10308	PLT-NC/4DL	4" Round Pre-Mounting Plate
P10375	PLT-NC-DL/3-4-6-8	Universal 3/4/6/8/" Plate
7337	BAEM25-170BC/347-C	25W Micro Inverter 120-347V with 12" Conduit

**PRODUCT DIMENSIONS**

Width- in / (mm)	5.04" 128
Height- in / (mm)	1.00" 25.4
Depth- in / (mm)	5.04" 128
EPA (ft²)	-
Weight (lbs)	0.9
Mounting Height (ft)	-
Cable Length (ft)	-



CERTIFICATIONS			
UL/ETL	ETL/cETL	CEC	✓
NSF/ETL Sanitation		JA8	✓
Energy Star	✓	FCC	✓
DLC		RoHs	✓

DOCUMENTS			
LM79	✓	IES File	✓
LM80	✓	Dimmer List	

**COMMENTS**

--